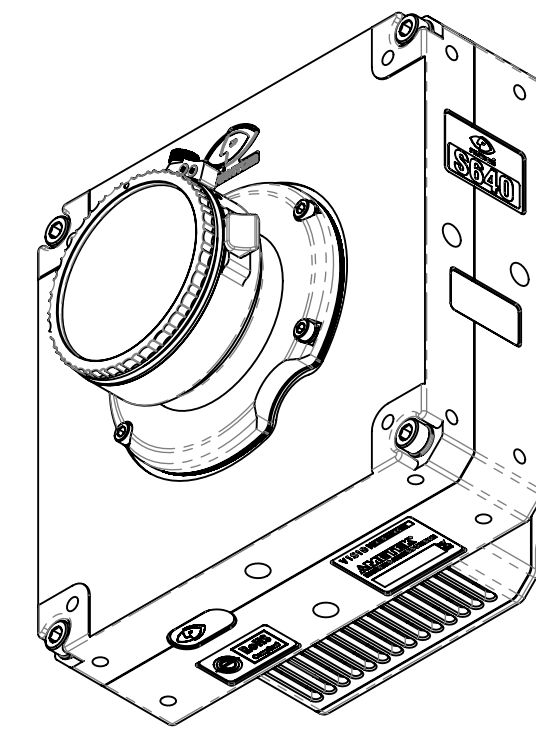
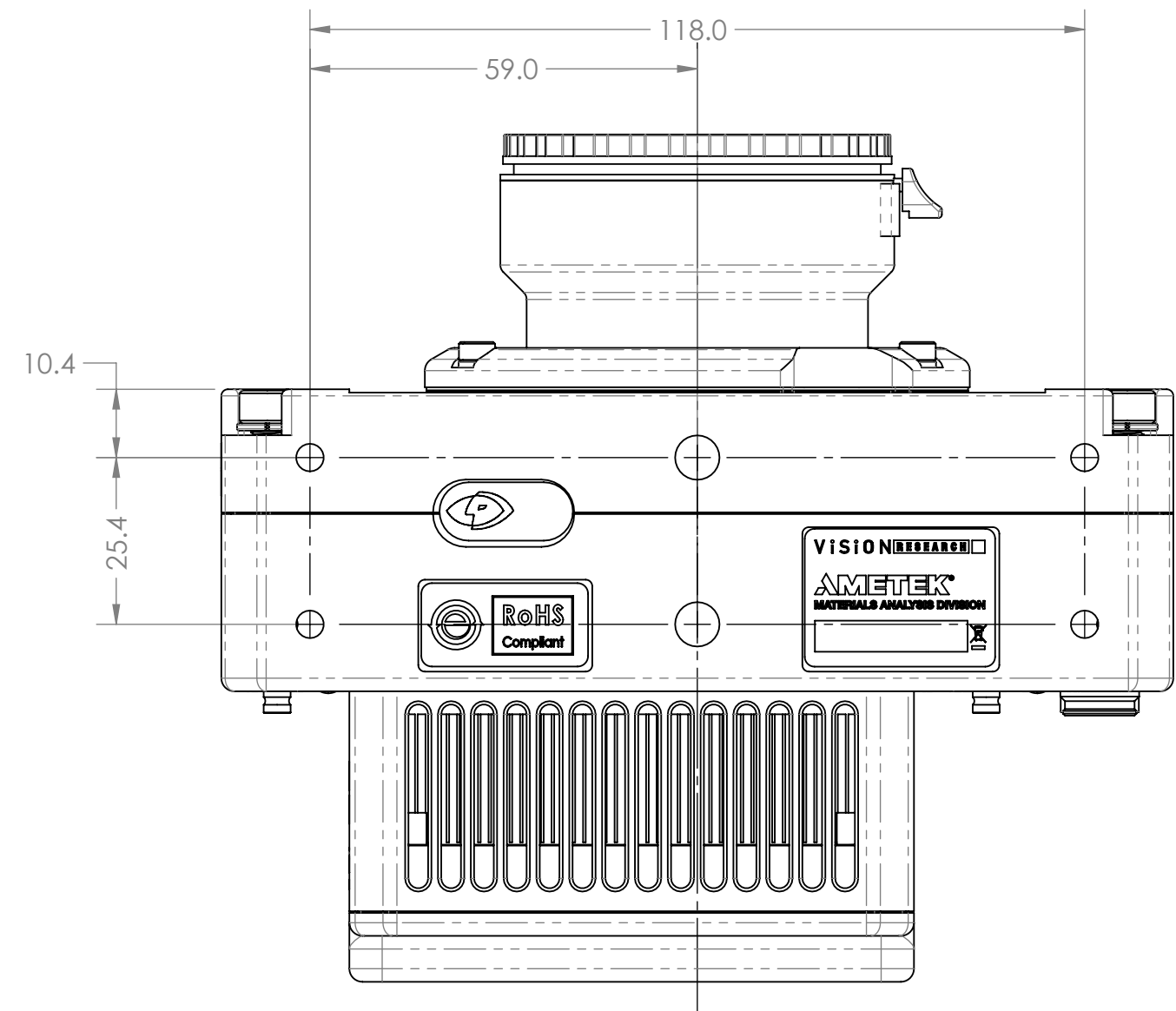
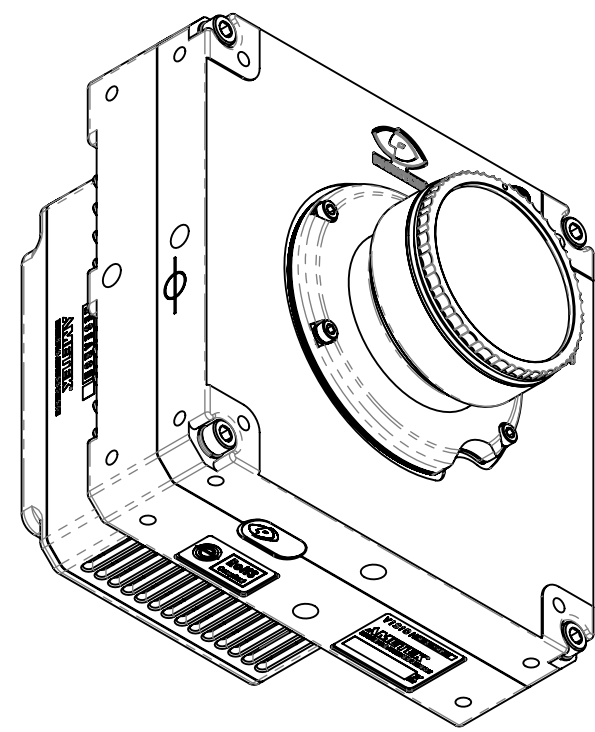
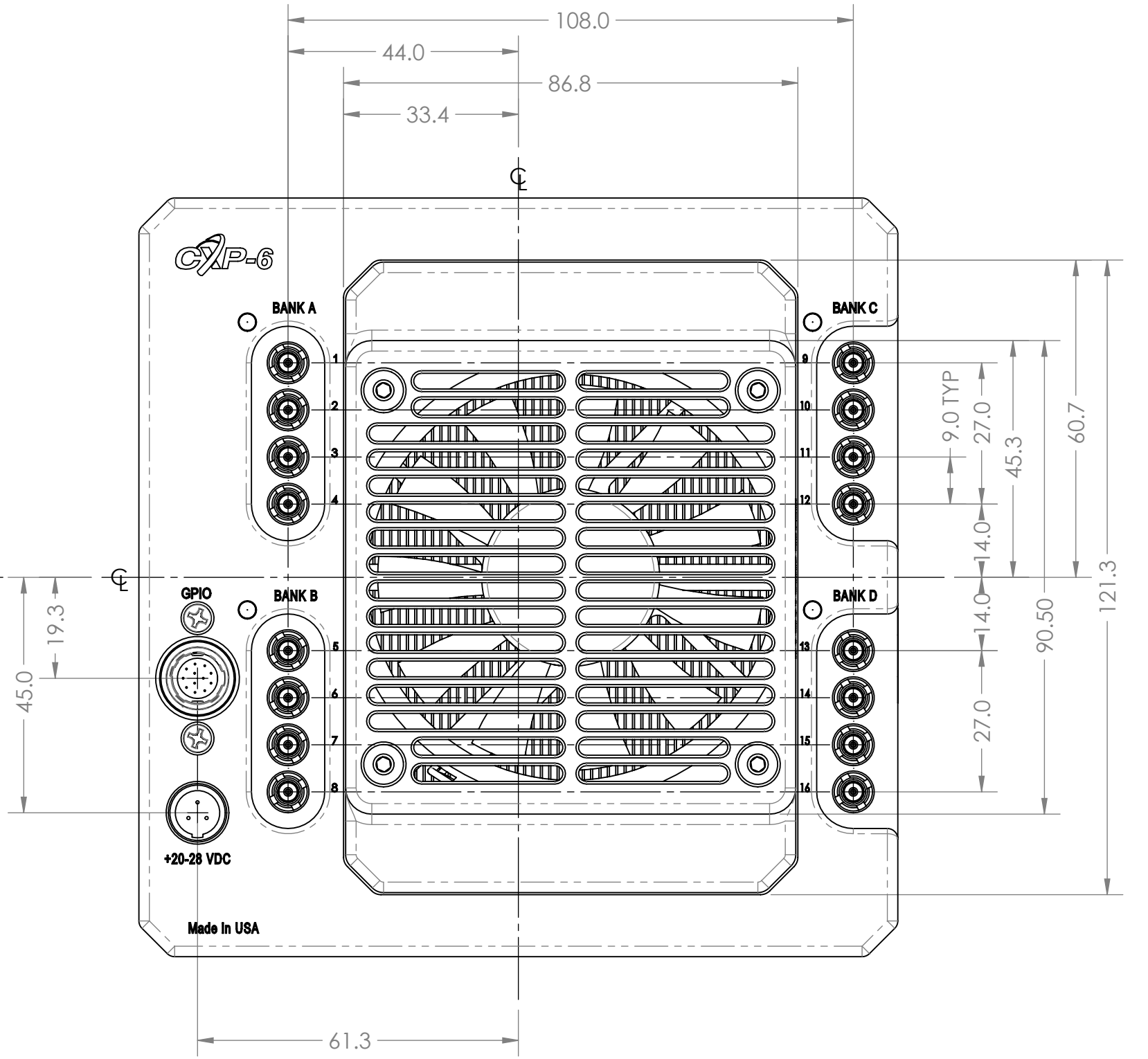
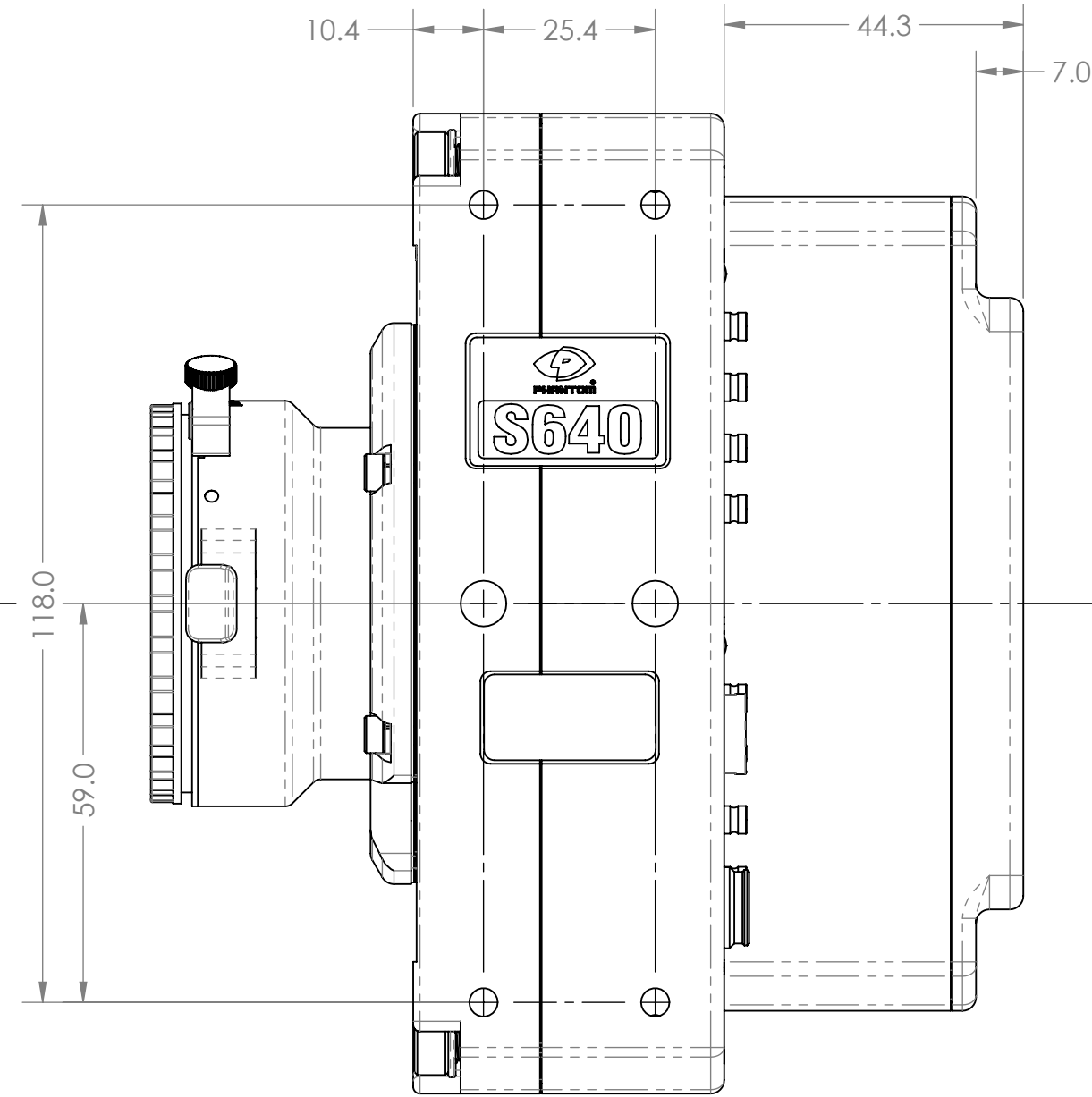
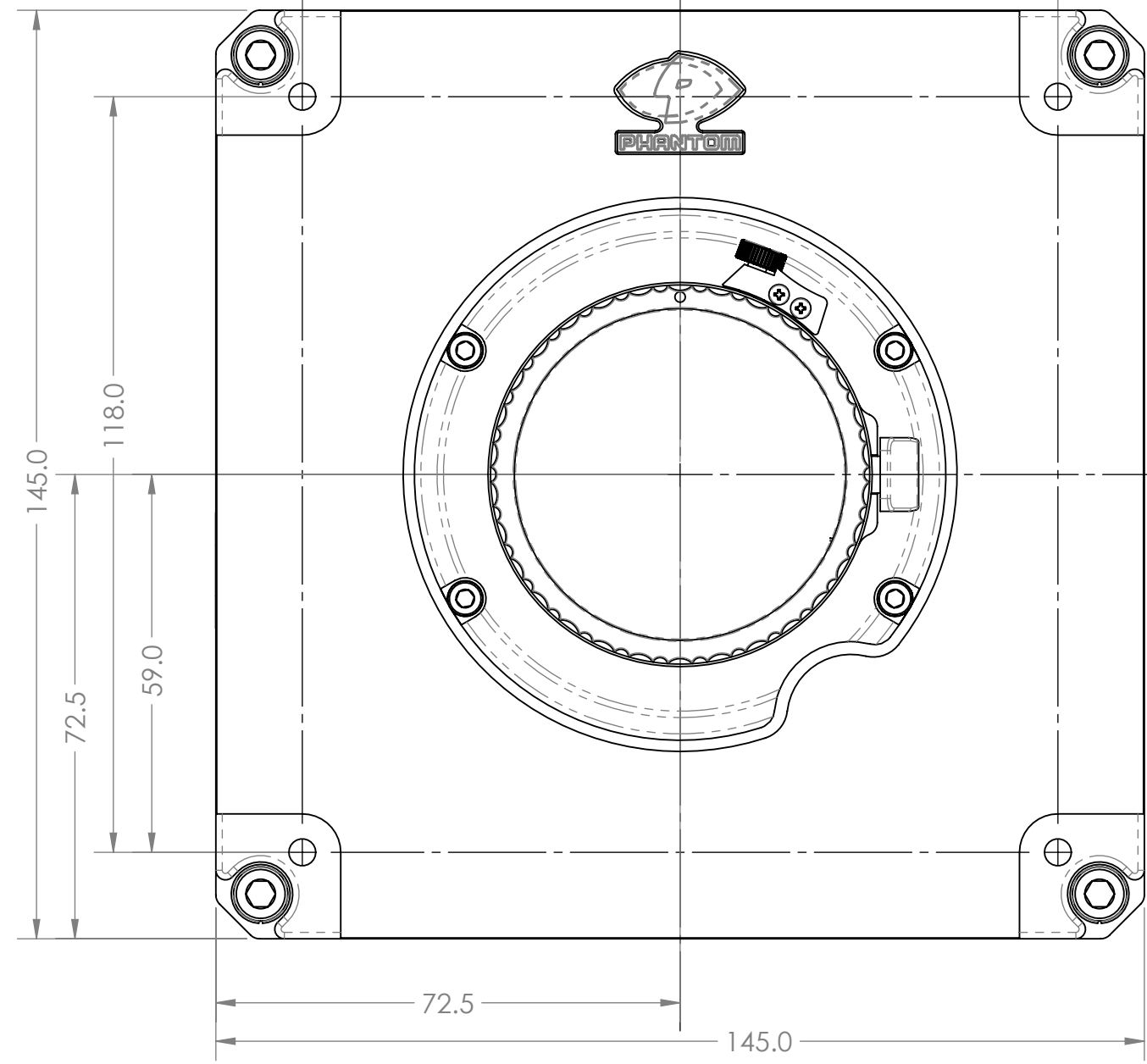
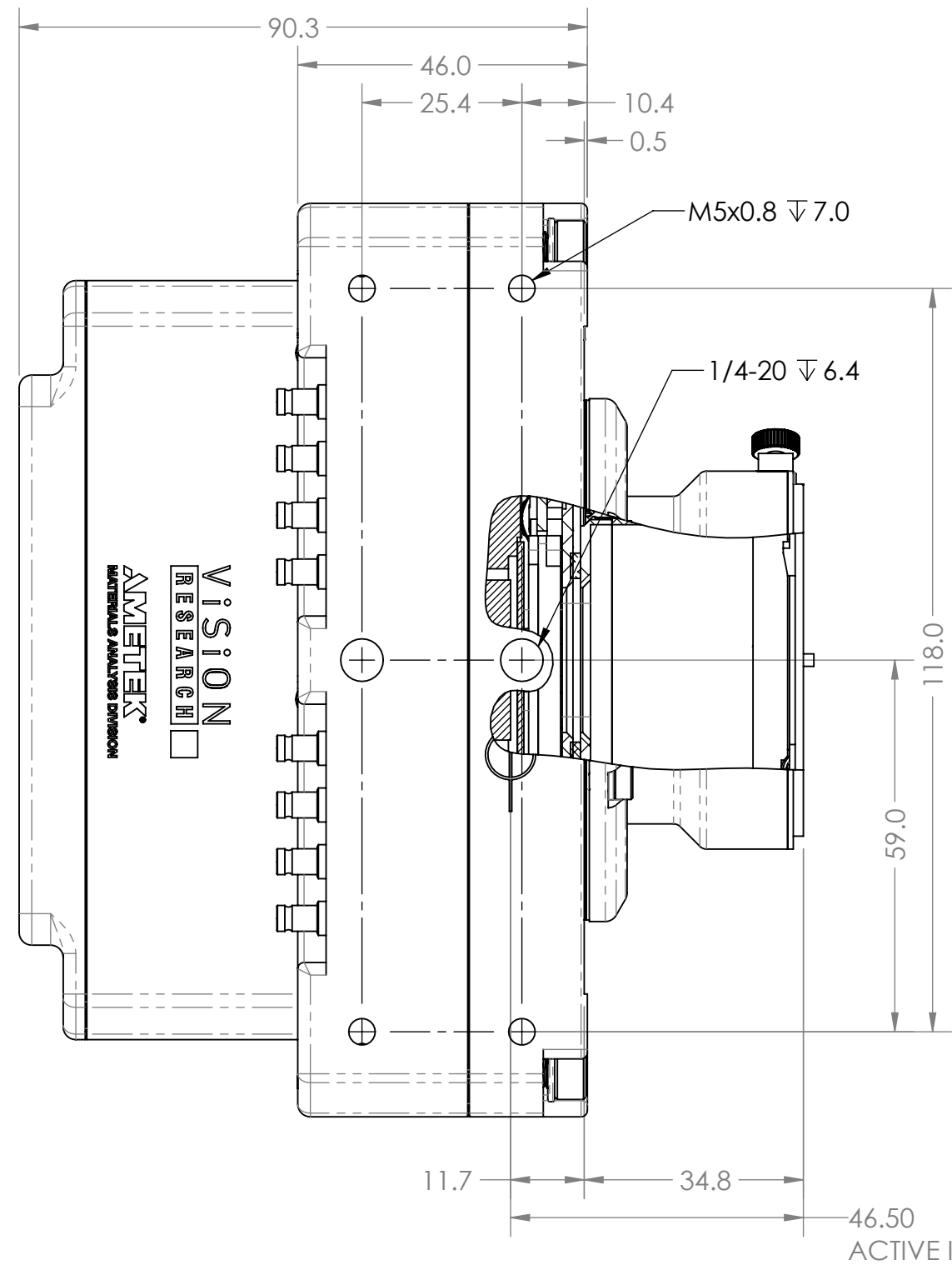
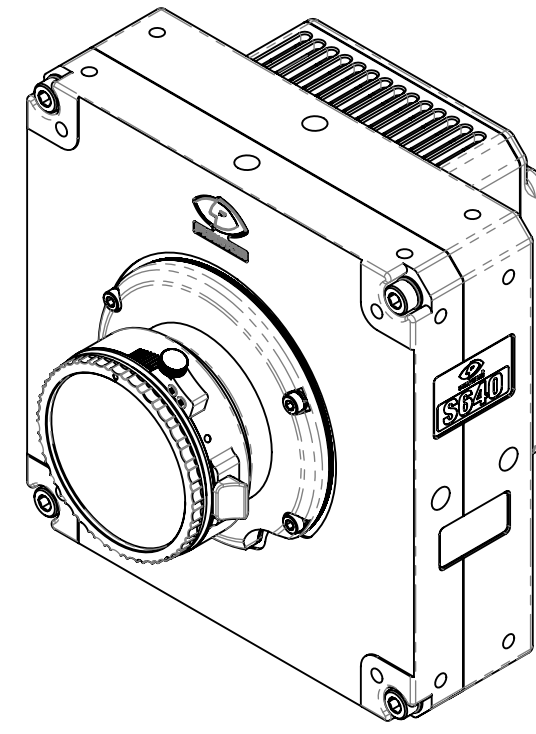
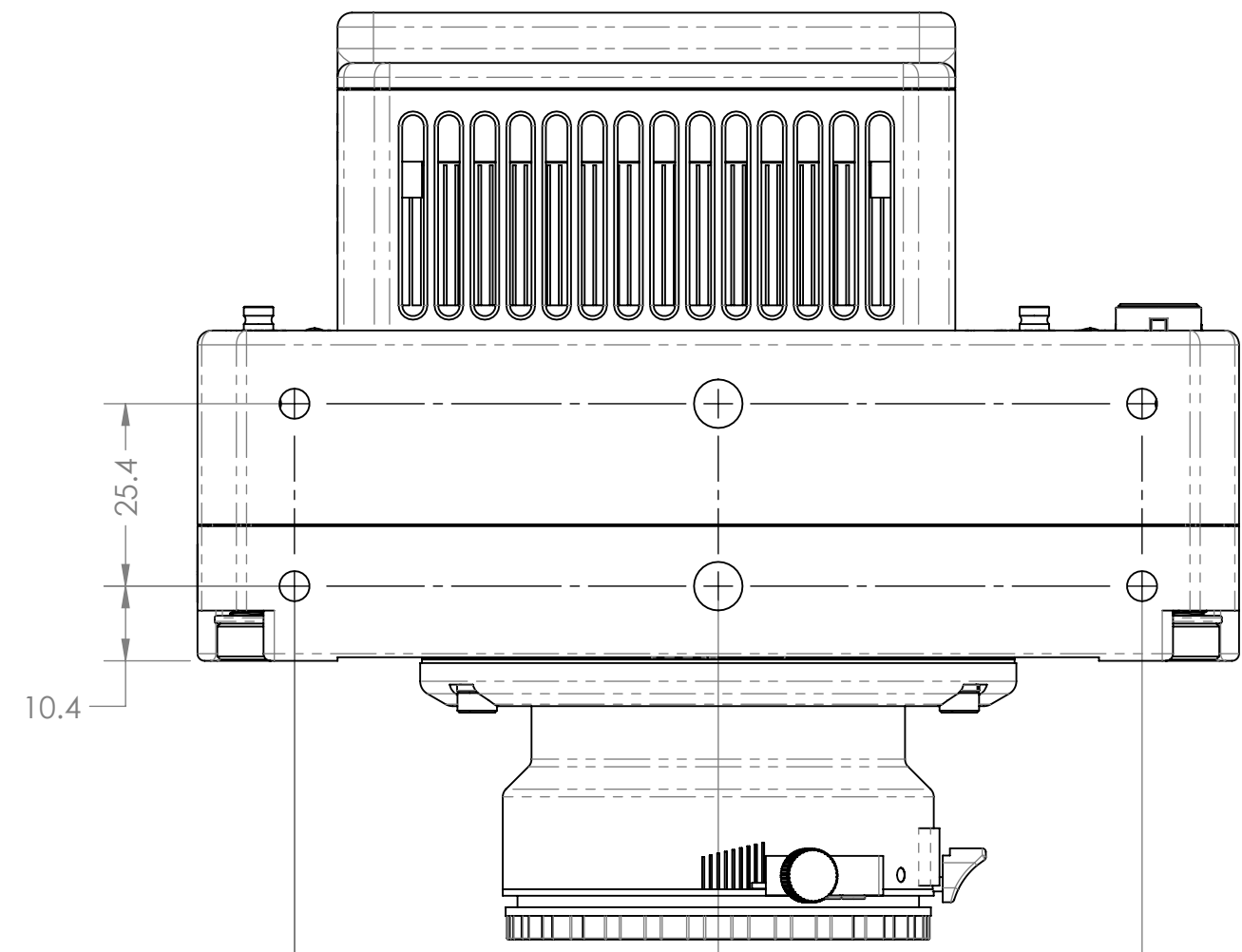
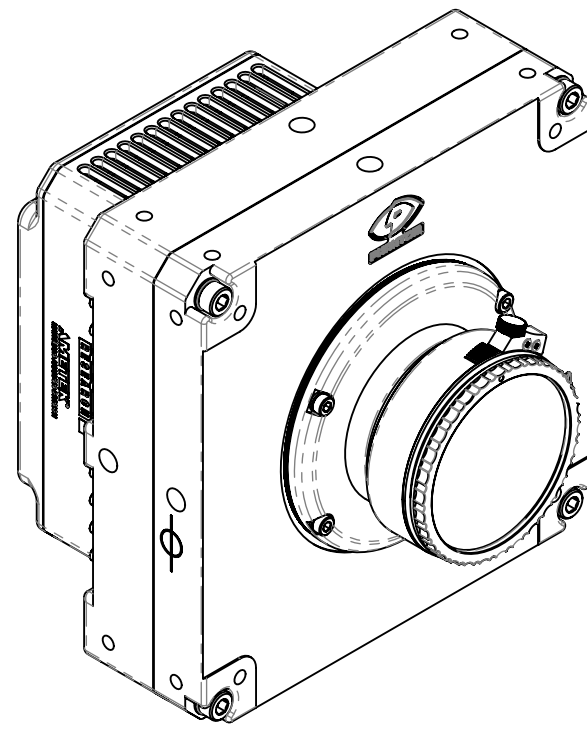


REVISIONS HISTORY			
REV.	DESCRIPTION	DRN BY	APP'D BY
0	INITIAL RELEASE	B.E. 6/17/19	



PROPRIETARY AND CONFIDENTIAL
 THE INFORMATION CONTAINED IN THIS DRAWING IS THE SOLE PROPERTY OF VISION RESEARCH. ANY REPRODUCTION IN PART OR AS A WHOLE WITHOUT THE WRITTEN PERMISSION OF VISION RESEARCH IS PROHIBITED.

UNLESS OTHERWISE SPECIFIED:	
	DIMENSIONS ARE IN MM
	TOLERANCES: FRACTIONAL: ±1/64 ANGULAR: MACH ±0.5 ONE PLACE: ±0.25 TWO PLACE: ±0.13
S710 CXP6	INTERPRET GEOMETRIC TOLERANCING PER: MATERIAL
S640 CXP6	FINISH
NEXT ASSY	USED ON
APPLICATION	DO NOT SCALE DRAWING

NAME	DATE
B.E.	6/17/19
DRAWN	
CHECKED	
ENG APPR.	
MFG APPR.	
Q.A.	

VISION RESEARCH
 100 Dey Road
 Wayne, New Jersey 07470 USA
 973-696-4500

TITLE:
**CUSTOMER DRAWING,
 S640/S710 CXP6**

SIZE	DWG. NO.	REV
D	ZDOC-64109-CD-0008	0
SCALE 1:1	WEIGHT:	SHEET 1 OF 1

